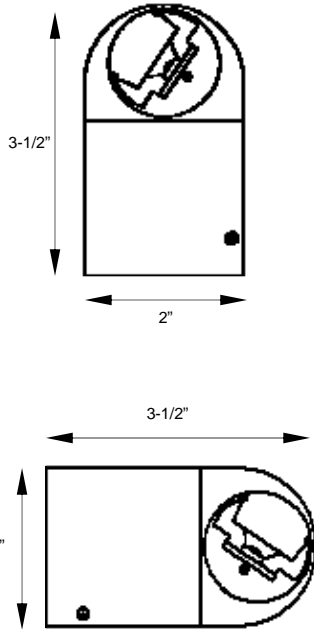


# Eco-Cove Integral



## LED Cove Lighting



### Description

- Linear adjustable cove light with 3 Watt LED lamp and electronic driver
- Proprietary LED board design provides individual LED monitoring for uniform power and full lifespan
- 2 wire operation—safe, low voltage 24V DC operation
- 100,000 hour life\*
- Built-in surge/transient protection—preventing harmful effects from brownout/blackout or inconsistent power supplies
- Reverse protection—prevents damage from incorrect installation
- Proprietary extrusion design for optimum thermal management
- Up to 815 Lumens per foot
- Dimmable system
- Remote power supply version available
- Mercury Free

### Housing & Available finishes

- Extruded aluminum housing and aluminum end plates
- Other finishes available
- Custom sizes also available

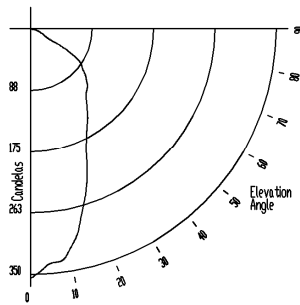
### Mounting Options

- Integral driver in through-wire channel shown
- Remote driver version available

### Lamp & Driver

- LED lamps included
- UV free light output
- 100,000 hour lamp life\*
- Electronic driver provides constant current

Candela Curve



Part #

-  -



# LEDs  
@ 1 per 2.66"

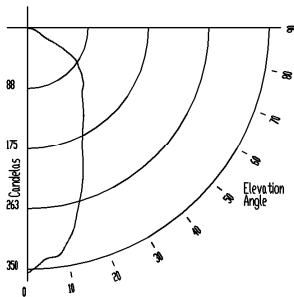
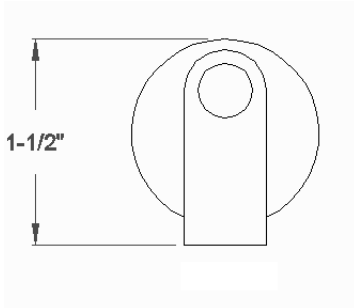
Fixture  
Length

Color Temperature  
W—Warm (3000—3500K)  
N—Neutral (4000—4500K)  
W—Cool (5000—5500K)

# Eco-Cove Remote



## LED Cove Lighting



Candela Curve

### Description

- Linear adjustable cove light with 3 Watt LED lamp and electronic driver
- Proprietary LED board design provides individual LED monitoring for uniform power and full lifespan
- 2 wire operation—safe, low voltage 24V DC operation
- 100,000 hour life\*
- Built-in surge/transient protection—preventing harmful effects from brownout/blackout or inconsistent power supplies
- Reverse protection—prevents damage from incorrect installation
- Proprietary extrusion design for optimum thermal management
- Up to 815 Lumens per foot

### Housing & Available finishes

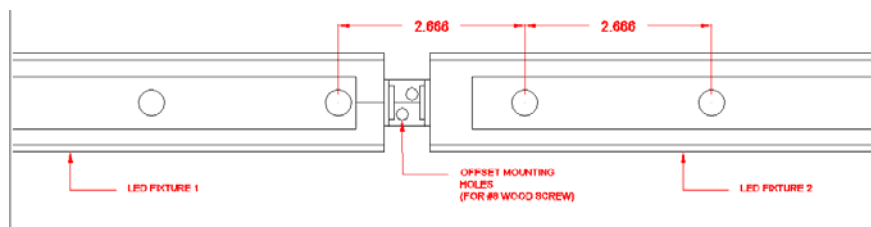
- Extruded aluminum housing and aluminum end plates
- Satin Anodized finish
- Other finishes available
- Custom sizes

### Mounting Options

- Remote driver in approved enclosure
- Integral driver version with through wiring channel available

### Lamp & Driver

- LED lamps included
- UV free light output
- 100,000 hour lamp life\*
- Electronic driver provides constant current



Part #

-  -

# LEDs  
@ 1 per 2.66"

Fixture  
Length

Color Temperature  
W—Warm (3000—3500K)  
N—Neutral (4000—4500K)  
W—Cool (5000—5500K)

