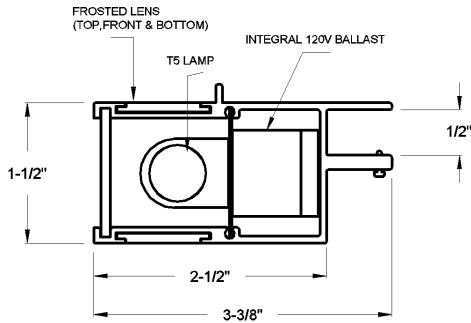


# Shelf Talker—T5 Fluorescent

## Fluorescent Shelf Lighting



### Description

- Linear shelf light with T5 fluorescent lamp and electronic ballast
- Proprietary extrusion design
- Up/Down & Face Illumination
- Custom Logo on shelf face (by others)

### Housing & Available finishes

- Extruded aluminum housing and aluminum end plates
- Other finishes available
- Custom sizes also available

### Mounting Options

- Simple thumb screw attachment to solid or glass shelving systems
- Plug & Play system for existing shelving

### Lamp & Ballast

- T5 fluorescent lamp
- Integral, Electronic ballast

### Applications

- Drug Stores, Grocery Stores, Convenience Stores, Cosmetics, Hardware

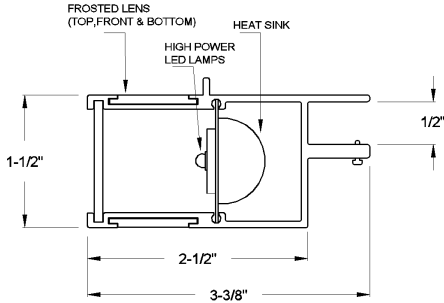


Minimum Fixture Length	Part #	Lamp	Lamp Length (nominal)	Amps	Volts
9-1/2"	B62300G1C	F6T5	9"	0.09	120
12-1/2"	B62300G2C	F8T5	12"	0.17	120
22-7/8"	B62300G3C	F14T5	22"	0.23	120
34-1/2"	B62300G4C	F21T5	34"	0.28	120
46-1/4"	B62300G5C	F28T5	46"	0.41	120
58-1/8"	B62300G6C	F35T5	58"	0.48	120

Above part #s include white cord set at 3 ft long—unless otherwise specified. Custom configurations are available. Contact your sales representative or our customer service at 1-800-509-0222

# Eco-Shelf LED Display

LED Shelf Talker



## Description

- Linear shelf light with 3 Watt LED lamp and electronic driver
- Proprietary LED board design provides individual LED monitoring for uniform power and full lifespan
- 2 wire operation—safe, low voltage 24V DC operation
- 100,000 hour life\*
- Built-in surge/transient protection—preventing harmful effects from brownout/blackout or inconsistent power supplies
- Reverse protection—prevents damage from incorrect installation
- Proprietary extrusion design for optimum thermal management
- Up to 700 Lumens per foot
- Up/Down & Face Illumination
- Custom Logo on shelf face (by others)

## Housing & Available finishes

- Extruded aluminum housing and aluminum end plates
- Powder coated white gloss
- Other finishes available
- Custom sizes available

## Mounting Options

- Remote driver in approved enclosure
- Simple thumb screw attachment to solid or glass shelving systems
- Plug & Play system for existing shelving
- 'Wireless' system available

## Lamp & Driver

- LED lamps included
- UV free light output
- 100,000 hour lamp life\*
- Electronic driver provides constant current

## Applications

- Drug Stores, Grocery Stores, Convenience Stores, Cosmetics, Hardware

Part #

B42300 G  -  -

# LEDs @ 1 per 2.66"

Fixture Length

Color Temperature  
 W—Warm (3000—3500K)  
 N—Neutral (4000—4500K)  
 W—Cool (5000—5500K)