



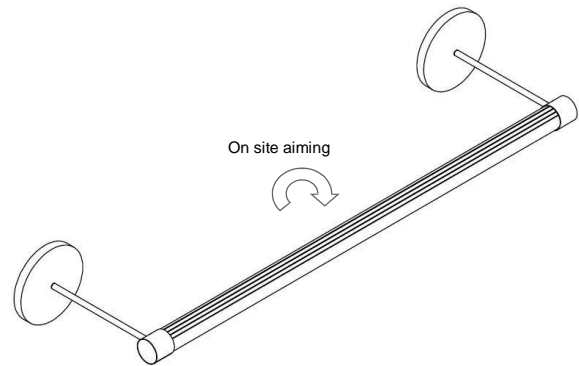
Description

- LED luminaire and remote electronic driver
- On-site aimable
- Ardron-Mackie's proprietary, proven, reliable LED light engine
- Precision light output and advanced binning
- 2 wire operation—safe, low voltage 24V DC operation
- Up to 100,000 hour life
- Reverse protection—prevents damage from incorrect installation
- Typical CRI = 85
- cUL Listed and UL Listed
- Environmentally sound manufacturing process
- Manufactured in North America
- Advanced binning
- Single color bin guarantee
- 5 year warranty*



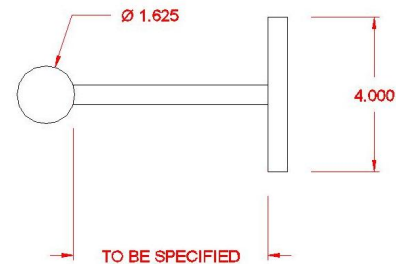
Housing & Available finishes

- Quality extruded aluminum housing available in satin clear anodized
- High strength clear polycarbonate lens
- Custom cut to specified length



Lamp & Driver

- 10 ft standard fixture lead length
- Heat and UV free light output
- Up to 1000 Lumens per foot
- Electronic driver provides constant current
- Select remote power supply enclosure
- Standard color temperatures, Warm (3000°K), Neutral (4000°K) or Cool (6000°K)



Ordering information on the following page
Technical & Design Assistance available at
1-800-509-0222

*5 year limited warranty per Terms & Conditions
**LED life and L70 figures base on LED manufacturers information and proprietary board design and thermal management





ORDERING INFORMATION

FIXTURES—hangers ordered separately

ORDER CODE	DESCRIPTION	WPF ¹	LPF ¹	LPW ¹	WPM ¹	LPM ¹
B40030G04P-120	PENDANT LED SATIN ANODIZED ALUM (12" NOM.)	11	1000	68	36	2460
B40030G08P-120	PENDANT LED SATIN ANODIZED ALUM (UP TO 24")	11	1000	68	36	2460
B40030G12P-120	PENDANT LED SATIN ANODIZED ALUM (UP TO 36")	11	1000	68	36	2460
B40030G16P-120	PENDANT LED SATIN ANODIZED ALUM (UP TO 48")	11	1000	68 <td 36	2460	
B40030G20P-120	PENDANT LED SATIN ANODIZED ALUM (UP TO 60")	11	1000	68	36	2460
B40030G24P-120	PENDANT LED SATIN ANODIZED ALUM (UP TO 72")	11	1000	68	36	2460
B40030G28P-120	PENDANT LED SATIN ANODIZED ALUM (UP TO 84")	11	1000	68	36	2460
B40030G32P-120	PENDANT LED SATIN ANODIZED ALUM (UP TO 96")	11	1000	68	36	2460

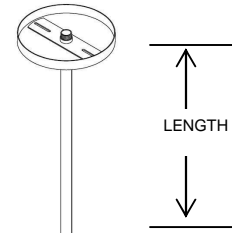
¹BASED ON NW (4000K)COLOR TEMP

LED COLOR	DESCRIPTION
-WW	WARM WHITE (3000K)
-NW	NEUTRAL WHITE (4000K)
-CW	COOL WHITE (6000K)

ORDERING INFORMATION

HANGERS

ORDER CODE	DESCRIPTION	LENGTH
C70035-(LENGTH)	1/4" NPS STRAIGHT HANGER	MIN. 4" - MAX. 84"

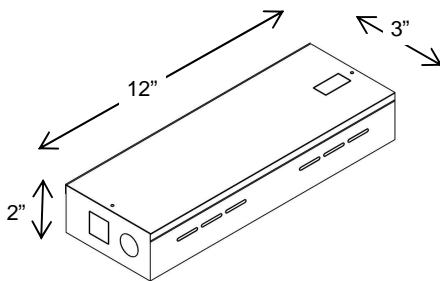


ORDERING INFORMATION

DRIVERS

ORDER CODE	DESCRIPTION	RUNS UP TO	INPUT	AMPS	OUTPUT
B52503LED60	60W 24VDC DRIVER #3 ENCLOSURE	60"	120V	0.59	24VDC
B52503LED80	80W 24VDC DRIVER #3 ENCLOSURE	84"	120V	0.74	24VDC
B52503LED100	100W 24VDC DRIVER #3 ENCLOSURE	108"	120V	0.93	24VDC

*OTHER ENCLOSURE STYLES AVAILABLE



#3 Driver Enclosure

*5 year limited warranty per Terms & Conditions
**LED life and L70 figures base on LED manufacturers information and proprietary board design and thermal management

